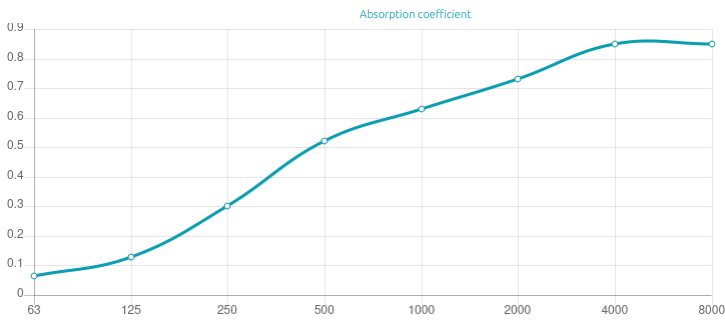
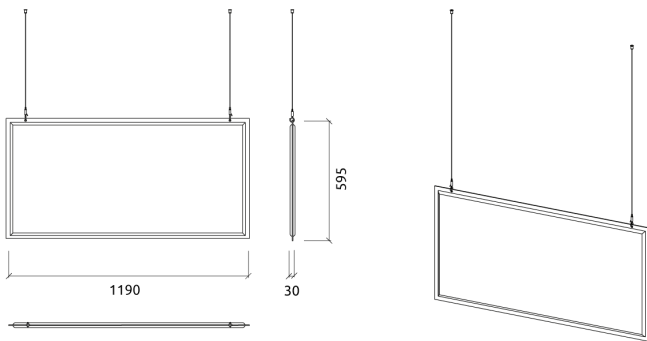


Performance



Technical Information



Features

Type: Absorber  
 Absorption range: 500Hz to 5000 Hz  
 Acoustic Class: c | ( $\alpha_w$ ) = 0,70  
 Recycled PET absorption - Class 1 product according to the OEKO-TEX® Standard 100.

This product is available in the following Fire Rates:  
 FG | Furniture Grade  
 FR | Fire Rated  
 FR | Fire Rated & COVID-19 Safe

PRODUCT COMPOSITION:

Argu | Suede Fabric Finishes (FG)  
 - Suede acoustic Fabric  
 - Sound PET acoustic core - Euro Class B

Argu | PET Finishes (FR)  
 - Sound PET acoustic - Euro Class B

Argu | Felted Fabric Finishes (FR)  
 - Felted Acoustic Fabric  
 - Sound PET acoustic core - Euro Class B

Argu | Twill Fabric Finishes (FR & COVID-19 Safe)  
 - Twill Acoustic Fabric - COVID-19 Safe  
 - Sound PET acoustic core - Euro Class B

Installation:  
 - Ceiling suspension kit included

The PET core is a material made entirely from recycled PET plastic, that undergoes an environmentally-friendly transformation process into the non-woven acoustic core we use in this panel. To keep this process as efficient as possible, the thickness of the product may vary slightly ( $\pm 3$ mm).

Dimensions:

FG - SF | 595x1190x30mm | 1.0 Kg  
 FR - P | 1190x595x30mm | 1.0 Kg  
 FR - TF | 595x1190x30mm | 1.0 Kg  
 FR - TT | 595x1190x30mm | 1.0 Kg

Argu Baffle is a fabric absorber ideal for commercial areas such as open offices, lobbies or even industrial environments. It is made from non-woven recycled PET, that is moulded into a sleek baffle unit. Argu is easily installed with the included kit for ceiling suspension, and is available in a range of quality fabric finishes.

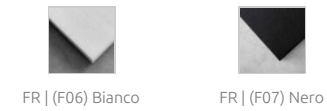
The most common ocean pollution - PET plastic bottles - can be recycled into a hard-wearing flexible acoustic material with exceptional performance.

**Product finishes**

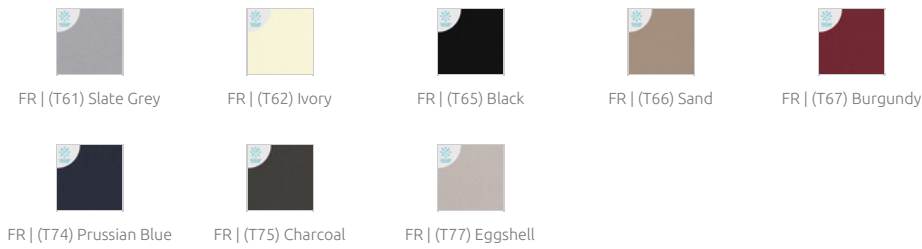
**(FG - SF) Suede Fabric Finishes**



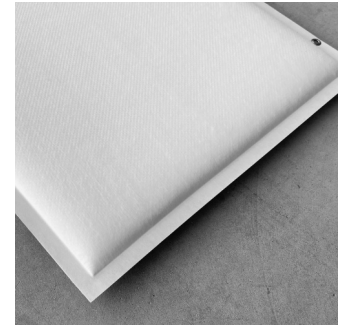
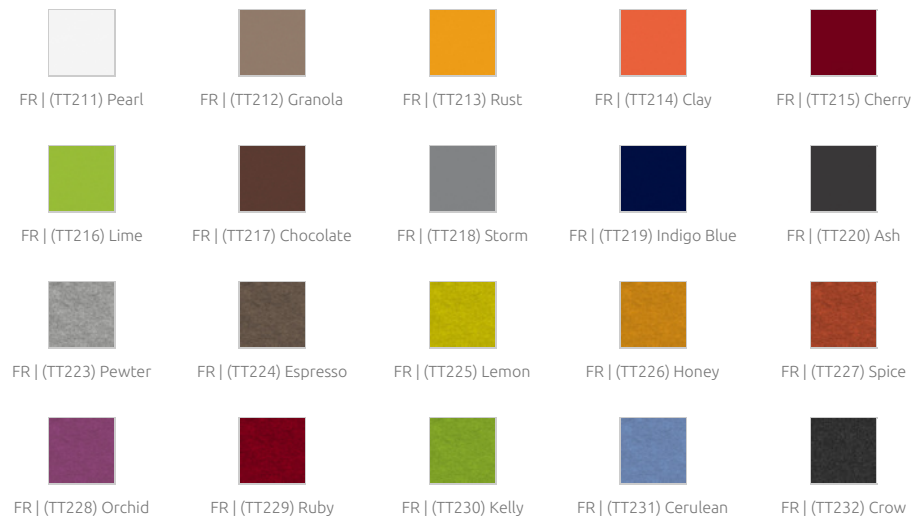
**(FR - P) Sound PET Finishes**



**(FR - TF) Twill Fabric Finishes | COVID-19 Safe (cleanable)**



**(FR - TT) Felted Fabric Finishes**



**Purpose**

- Noise Control
- RT reduction
- Improving speech intelligibility

**Recommended for**

- Office
- Open workspace
- Industrial
- Sport Gym